

SJ45/60 AJE+ ELECTRIC ARTICULATING BOOMS



STANDARD FEATURES

- 23A automatic battery charger with battery condition indicator
- 415 Ah AGM batteries
- Integrated electric traction motor brake
- Low battery warning indicator light
- EASYDRIVE™ Direction sensing drive and steer controls
- SKYRISER™ True vertical rise
- AXLDRIIVE™ Axle-based 4WD system
- Operator controlled locking rear differential and limited slip front differential
- Oscillating steer axle
- Drivable at full height
- 45% Gradeability
- Non-marking tyres
- SKYCODED™ control system
- Swing up cowlings for easy access
- Proportional controls
- Up to 454 kg capacities
- Bolt-in platform railings
- Lanyard attachment points
- Dual-entry sliding mid rails (SJ45 AJE+)
Tri-entry sliding mid rails (SJ60 AJE+)
- Secondary Guarding Electrical (SGE)
- Overload sensing system
- Wiring for AC outlet on platform
- Tilt alarm (5.0° x 5.0°) with drive and lift cut-out
- Single point emergency lowering
- 355° Non-continuous turret rotation
- Tie down/lifting lugs
- Hourmeter
- Operator horn
- Lockable power disconnect switch



- 42% operational carbon saving compared to previous model†



- Zero emissions



- <70 dB inherently quiet machine operation (excl. alarms)
- White noise alarm – *optional*



- 90% recyclable (by weight)



- Up to 50% less hydraulic connections – reduces leak potential
- Bio-degradeable hydraulic oil – *optional*

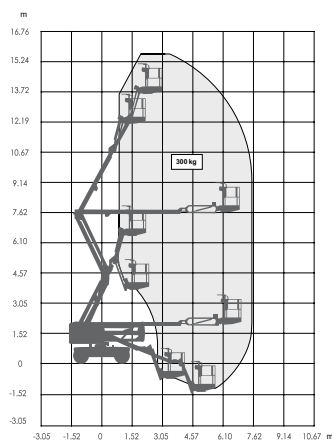
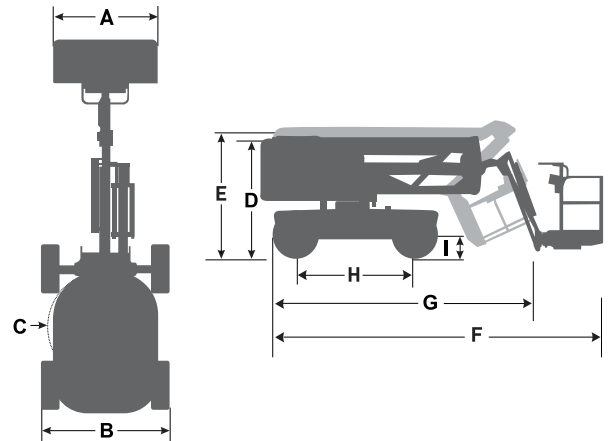


- Telematics – Remote diagnostics reduces site visits (operational carbon foot print)

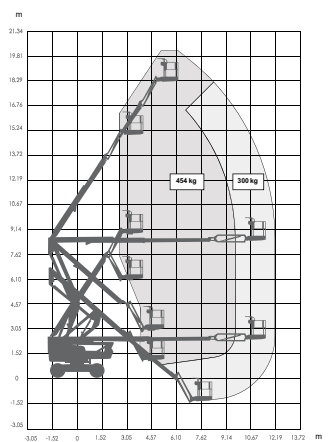
*Compared to SJ45 AJ+ & SJ60 AJ+ diesel

SJ45/60 AJE+ ELECTRIC ARTICULATING BOOMS

Dimensions	SJ45 AJE+	SJ60 AJE+
Work Height	15.72 m	20.29 m
Platform Height	13.72 m	18.29 m
Horizontal Reach	6.93 m	11.56 m
Up and Over Height	7.45 m	8.31 m
A Platform Size	0.76 x 1.83 m	0.91 x 2.44 m
B Stowed Width	2.29 m	2.44 m
C Tailswing	0.61 m	0.61 m
D Stowed Height	2.06 m	2.54 m
E Transportation Height	2.37 m	2.79 m
F Stowed Length	6.00 m	8.59 m
G Transportation Length	4.75 m	6.60 m
H Wheelbase	2.03 m	2.44 m
I Ground Clearance	0.39 m	0.33 m
Specifications	SJ45 AJE+	SJ60 AJE+
Rotation	355° NC	
Platform Rotation	170°	
Jib Length	1.40 m	1.52 m
Jib Range +/-	+70° / -75°	+65° / -60°
Weight	5,407 kg	8,880 kg
Gradeability	45%	
Turning Radius (Inside)	1.50 m	2.21 m
Turning Radius (Outside)	4.34 m	5.31 m
Axle Oscillation	12.70 cm	10.16 cm
Drive Speed (High speed)	4.8 km/h	
Capacity	300 kg	300 / 454 kg
Maximum Wind Rating	12.5 m/s	12.5 m/s
Personnel Rating at Max Wind Rating	2	2 / 3
Tyre Size	10 x 31	14 x 610
Tyre Type	N/M Solid	N/M Foam-Filled
Batteries	415 Ah AGM	
Charge Time	0-100% <15 hrs / Bulk charge 20-80% <9 hrs	
Hydraulic Reservoir	91 L	115 L



SJ45 AJE+ WORKING ENVELOPE



SJ60 AJE+ WORKING ENVELOPE

ACCESSORIES

- Glazier kit
- Pipe rack
- Tool caddy

OPTIONS

- Flashing light
- All motion audible alarm
- 0.91 x 1.83 m platform (SJ60 AJE+)
- Side spring hinged entry gate (SJ45 AJE+)
- Rear spring hinged entry gate (SJ60 AJE+)
- Control box cover
- Bio oil
- White noise alarm
- ELEVATE telematics

www.skyjack.com

Skyjack UK
Unit 1, Maes-y-Clawdd
Maesbury Road Industrial Estate
Oswestry, Shropshire, SY10 8NN
Tel: +44 1691 676235
Fax: +44 1691 676239
Email: info@skyjackeurope.co.uk

Skyjack SAS (France)
74 Rue Sibert
F-42400 Saint Chamond
France
Tel: +33 (0) 4 78 73 53 32
Fax: +33 (0) 4 78 56 52 42

Skyjack Hebebühnen GmbH (Germany)
Därmanbusch 2a
D-58456 Witten
Tel: +49 (0) 2302 20 26 909
Fax: +49 (0) 2302 20 25 671

Skyjack AB (Sweden)
Agnesbergsvägen 28
424 38 Agnesberg
Sweden
Tel: +46 (0) 31 21 22 45
Fax: +46 (0) 31 787 65 10

SKYJACK
simply reliable