



Doosan Infracore
Forklifts

PRO5
SERIES

Pneumatic Forklift Trucks

D15S / D18S-5 & D20SC-5
G15S / G18S-5 & G20SC-5
D20S / D25S / D30S / D33S-5 & D35C-5
G20E / G25E / G30E-5
G20P / G25P / G30P / G33P-5 & G35C-5
3,000lb to 7,000lb Capacity

PRO5
SERIES



D15S / D18S-5 & D20SC-5
G15S / G18S-5 & G20SC-5
3,000lb(1,500kg) 3,500lb(1,750kg)
4,000lb(2,000kg)
Diesel, LP, Gas, Pneumatic Tire



D20S / D25S / D30S / D33S-5 & D35C-5
G20E / G25E / G30E-5
G20P / G25P / G30P / G33P-5 & G35C-5
4,000lb(2,000kg) 5,000lb(2,500kg)
6,000lb(3,000kg) 6,500lb(3,250kg)
7,000lb(3,500kg)
Diesel, LP, Gas, Pneumatic Tire

Full Product Line

Doosan offers a full line of lift trucks from 3,000lb(1,500kg) to 36,000lb(16,000kg) to fill all your material handling needs. Contact your dealer for specific information on our various models and configurations.

Complete Distribution Network

Doosan lift trucks are sold and serviced by 95 dealers at over 200 locations in the U.S and Canada. Call us at 1-800-323-9662 for the location of a dealer near you, or visit us at www.doosanlift.com

For corporate information go to :
www.dhiac.com



PSC0707A0 (July,2007)



Doosan Infracore America Corporation
4350 Renaissance Parkway,
Warrensville Heights, Ohio, 44128 U.S.A.
Tel : 216-595-1212
Fax : 216-595-1214

AUTHORIZED DEALER

Product and specifications are subject to improvement and change without notice.

Redesigned....From The Ground Up!

Doosan's Outstanding Reputation for Durable, Dependable and Operator Friendly forklifts is Further Enhanced with Our New 3,000lb(1,500kg) to 7,000lb(3,500kg) Heart-of-the-Line Pro 5 Series. Providing a Well Balanced Mix of Enhanced Technology, Operator Comfort Refinements, Performance Efficiencies and Serviceability Advances, These New Pneumatic forklifts will Increase Productivity and lower your Operating Costs with Features Like:

- ✓ *Optimized Operator Comfort Provisions*
- ✓ *High Powered, Fuel efficient, and EPA Compliant Diesel, LPG and Gasoline Engines*
- ✓ *Virtually Maintenance-free Oil cooled Disc Brakes*
- ✓ *Power Reversal Transmission*
- ✓ *Lift and Tilt Locking Hydraulic Control Valve*
- ✓ *OSS(Operator Sensing System)*



DRIVE THE DIFFERENCE...

DRIVE DOOSAN !

A Comfortable Operator Enhances Truck Performance

Our ergonomically designed and spacious operator compartment combined with a variety of operational enhancements will facilitate ease of operation and help boost output in any application.



Operator Friendly Features Include:

● Spacious and Well Planned Operator compartment

Ample operator leg room, tiltable steering column and ergonomically positioned operator pedals combined with a low cowl height facilitate ease of operation.

● Integrated Instrument Panel

The centralized and integrated easy-to-read instrument panel maximizes operator efficiency. Fuel gauge, engine hour meter, engine oil pressure, coolant and transmission temperature, mast interlock, transmission neutral, seat belt, brake oil level indicator keeps operator aware and informed of all vehicle performance systems.

● Convenience Package

Handles refreshments, paperwork, small tools, etc. for operator efficiency.

● Auto Tilt Leveling (Optional)

Returns mast to upright vertical position with the push of a button.

● Operator Sensing System

- ✓ Parking alarm : Alarm warning when operator leaves the seat without applying parking brake
- ✓ Seat belt indicator : Seat belt warning light for 10 seconds reminds operator to fasten seat belt
- ✓ Neutral shift feature : Transmission is automatically shifted into neutral when the operator leaves the seat.

● Rear Grab Bar with Horn

When operator drives in reverse, rear grab bar enables horn activation to alert surrounding personnel.





High Powered and Fuel - Efficient Diesel, LPG, Gasoline Engines Provide Excellent Performance Levels

The Doosan forklifts powerful 2.3L, 3.3L, diesel engine and 2.0L, 2.4L LPG / Gasoline engine are Tier-2 and 3 compliant for reduced emissions. These in-line, 4-cylinder, water cooled, overhead valve engines provide high torque at low engine speeds for applications requiring ramp loading and unloading, fast lift speeds, or heavy hydraulic flow requirements.

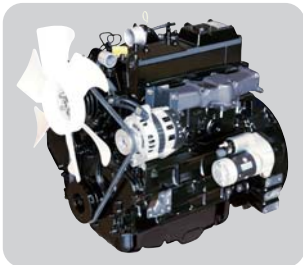
- **2.3L Diesel Engine(A2300)**

The A2300 engine is designed for all-round application with power and economy. Its torque curve at low speed yields excellent durability and low noise levels. For enhanced serviceability, all service access is possible from one side of the engine.



- **3.3L Diesel Engine(4TNV98)**

This 3.3 liter diesel engine is designed exclusively for industrial vehicle application. Especially optimized engine designed with CAE techniques provides low noise. Besides, the combustion chamber, new mono plunger injection pump especially designed for this engine and 4-valve/cylinder designs provide low emission characteristic



- **G420FE Gasoline / LPG Engine**

The low fuel consumption and highly-efficient 2.0 liter G420FE gasoline or LPG gas engine includes automatic valve lash adjusters which help to reduce engine maintenance. Five main bearings provide a solid and stable support base to the crankshaft for additional durability and longer life.



- **G424FE Gasoline / LPG Engine**

The optional 2.4 liter G424FE gasoline or LPG gas engine provides greater torque and higher performance. The engine includes automatic valve lash adjusters which help to reduce the engine maintenance. Five main bearings provide a solid and stable support base to the crankshaft for additional durability and longer life.



Engine Compartment Designed for Service Ease



- **Integration of Electrical Components for Easy Maintenance**

Fuse and relay box located in front of engine.



- **Dual Element Air Cleaner**

Heavy duty air cleaning system extend engine service life and allows clean, cool air into the engine intake system.



- **Tool - less Side Cover and Floor Plate Simplifies Serviceability**

A Hallmark of Durability and Reliability



Doosan's Goal is to Make Your Material Handling Operation as Efficient and Reliable as Possible by Minimizing Your Forklifts Down Time to Reduce Overall Maintenance Cost.

● Oil- Cooled Disc Brakes(ODB)

Virtually maintenance-free, ODB is equipment on all 3,000lb~7,000lb(1,500kg~3,500kg) series forklifts. The enclosed brake system eliminates outside contamination significantly extending the brake life up to 5 times longer when compared to conventional shoe brakes. That's why they come with our industry exclusive 5year/10,000 hour warranty.



● Power reversal transmission

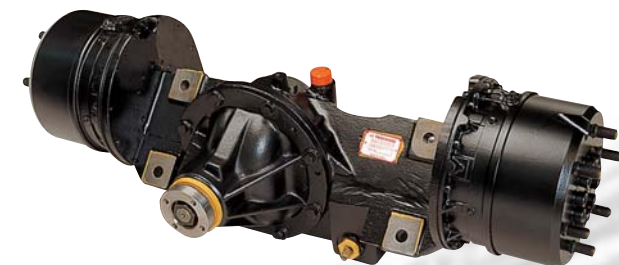
Top mounted control valve
✓ accurately modulates clutch oil pressure
✓ smooth forward / reverse direction changes
✓ long transmission life
✓ permits up to 5mph on-the-go-shifting



Top located plug type test ports
✓ easy to check and clean

● Full floating drive axle

Strong one-piece cast housing
✓ axle components aligned
✓ high tensile alloy steel axle shaft extends axle life



Splined side gear, drive hub gears transmit high torque to drive wheels

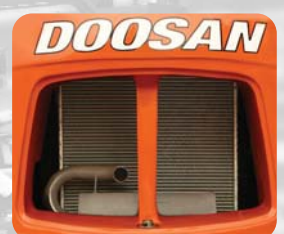
● Hydrostatic steering system

✓ Fully hydrostatic steering
✓ Self - aligning taper roller bearings
✓ Designed to operate in contaminated environments and high impact applications
✓ Low effort steering and faster response



● Increased Cooling Capacity

Aluminum radiator provides excellent cooling capacity with improved air flow.



DRIVE THE DIFFERENCE...

Proven Quality, Responsive Service and A Reliable Partner....

After sales servicing of Doosan forklifts is available from the selling dealership backed by Doosan's own customer service center. And Doosan provides 100% parts inventory to insure any downtime is minimized. When you own a Doosan forklift, our high quality, responsive customer support team comes with it.

The Doosan network starts with your local dealer and ends with a national team of highly qualified and experienced personnel standing ready to support all your material handling needs.



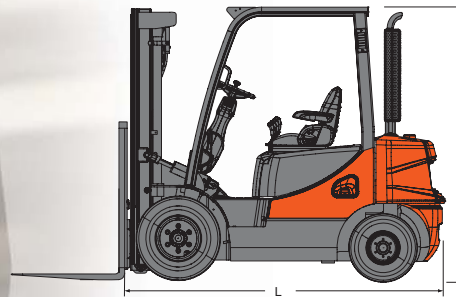
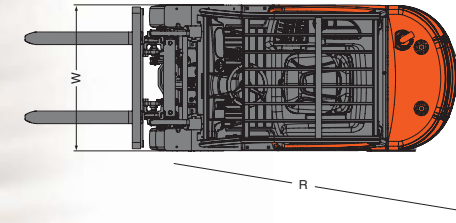
DRIVE THE DIFFERENCE...

Option Availability

● : Standard ○ : Optional

Options	D15/18S-5 & D20SC-5	G15/18S-5 & G20SC-5	D20/25/30/33S-5 & D35C-5	G20/25/30E-5	G20/25/30/33P-5 & G35C-5
Drive in Rack Overhead Guard	○	○	○	○	○
Oil- Cooled Disc Brakes	○	○	●	●	●
Fuel Cap with Key	○	○	○	○	○
Precleaner	○	○	○	○	○
Vertical Exhaust Tube	●	○	●	○	○
Catalytic Muffler *	○	○	○	○	○
Modular Operator Cabin	○	○	○	○	○
Radiator Screen	○	○	○	○	○
Non Marking Tire(Solid)	○	○	○	○	○
Spark Arrestor(w/o Cabin)	n/a	n/a	○	n/a	n/a
Mono Pad Foot Direction and Acceleration Control	○	○	○	○	○
AutoShift (Single,Dual Tire)	○	○	○	○	○
Engine Shutdown	○	○	○	○	○
Swingout LP MTG	n/a	○	n/a	○	○
Swingdown LP MTG	n/a	○	n/a	○	○
Lift and Tilt Locking Hydraulic Control Valve	●	●	●	●	●
Auto Tilt Leveling	○	○	○	○	○
Rear Grab Bar with Horn	●	●	●	●	●
Quad Mast	n/a	n/a	○	○	○
Hydraulic Accumulator	○	○	○	○	○
Intergral Sideshifter	○	○	○	○	○
Intergral Shifting Fork Positioner	○	○	○	○	○
Hook on Sideshifter	○	○	○	○	○
UL LPS,DS Rating	○	○	○	○	○

* Catalytic muffler is standard for Tier-3 E/G only



Main Specification

Sales Model	D15S-5	D18S-5	D20SC-5	G15S-5	G18S-5	G20SC-5
Rated Load Capacity	3000(1500)	3500(1750)	4000(2000)	3000(1500)	3500(1750)	4000(2000)
Load Center	24(500)	24(500)	24(500)	24(500)	24(500)	24(500)
Overall Length to Fork Face L	85.4(2170)	87.2(2215)	88.6(2250)	85.4(2170)	87.2(2215)	88.6(2250)
Truck Overall Width W	42.1(1070)	42.1(1070)	42.1(1070)	42.1(1070)	42.1(1070)	42.1(1070)
Height of Overhead Guard H	85.4(2170)	85.4(2170)	85.4(2170)	85.4(2170)	85.4(2170)	85.4(2170)
Minimum Turning Radius R	77.8(1977)	79.6(2022)	80.7(2050)	77.8(1977)	79.6(2022)	80.7(2050)
Travel Speed, Loaded	11.8(19)	11.8(19)	11.8(19)	11.2(18)	11.2(18)	11.2(18)
Lifting Speed, Loaded	118(600)	118(600)	118(600)	118(600)	118(600)	118(600)
Engine Models	A2300			G420FE(LP)		
Rated Power of Engine	44(33)/2400			LP : 46(34)/2300		
Max Torque	110(15)/1600			113(15)/1600		
Displacements	2290			1975		

Sales Model	D20S-5	D25S-5	D30S-5	D33S-5	D35C-5	G20E-5	G25E-5
Rated Load Capacity	4000(2000)	5000(2500)	6000(3000)	6500(3250)	7000(3500)	4,000 (2,000)	5,000(2,500)
Load Center	24(500)	24(500)	24(500)	24(500)	24(500)	24 (500)	24(500)
Overall Length to Fork Face L	99.6(2530)	102.2(2595)	106.3(2700)	107.5(2730)	108.9(2765)	99.6 (2,530)	102.2(2,595)
Truck Overall Width W	46.1(1170)	46.1(1170)	47.1(1197)	47.1(1197)	49.4(1255)	46.1 (1,170)	46.1(1,170)
Height of Overhead Guard H	85.9(2183)	85.9(2183)	85.9(2183)	85.9(2183)	85.9(2183)	85.9 (2,183)	85.9 (2,183)
Minimum Turning Radius R	87.4(2220)	89.2(2265)	93.1(2365)	94.3(2395)	95.3(2420)	87.4 (2,220)	89.1(2,265)
Travel Speed, Loaded	12.1(21)	12.1(21)	11.2(20)	11.2(20)	11.8(20.5)	11.8 (19)	11.8(19)
Lifting Speed, Loaded	108.3(530)	104.3(520)	102.3(500)	98.4(490)	82.7(480)	104.3 (530)	100.4(510)
Engine Models	4TNV98					G420FE	
Rated Power of Engine	62.1(46.3)/2,200					53.5 (39.9) / 2,550	
Max Torque	177(240)/1,320					157/1,600	
Displacements	3,319					1,975	

Sales Model	G30E-5	G20P-5	G25P-5	G30P-5	G33P-5	G35C-5
Rated Load Capacity	6,000(3,000)	4000(2000)	5000(2500)	6000(3000)	6500(3250)	7000(3500)
Load Center	24(500)	24(500)	24(500)	24(500)	24(500)	24(500)
Overall Length to Fork Face L	106.3(2,700)	99.6(2530)	102.2(2595)	106.3(2700)	107.5(2730)	108.9(2765)
Truck Overall Width W	85.2(1,197)	46.1(1170)	46.1(1170)	47.1(1197)	47.1(1197)	49.4(1255)
Height of Overhead Guard H	85.9(2,183)	85.9(2183)	85.9(2183)	85.9(2183)	85.9(2183)	85.9(2183)
Minimum Turning Radius R	93.1(2,365)	87.4(2220)	89.2(2265)	93.1(2365)	94.3(2395)	95.3(2420)
Travel Speed, Loaded	11.2(18)	11.8(19)	11.8(19)	11.2(18)	11.2(18)	11.5(18.5)
Lifting Speed, Loaded	98.4(500)	104.3(530)	100.4(510)	98.4(500)	98.4(500)	82.7(420)
Engine Models	G420FE			G424FE(LP)		
Rated Power of Engine	53.5(39.9)/2,550			64(47.7)/2,550		
Max Torque	157/1,600			135(182)/2,200		
Displacements	1,975			2,405		

DRIVE DOOSAN !



Doosan Infracore
Forklifts

TECHNICAL SPECIFICATIONS

Pneumatic Forklift Trucks

D15S / D18S-5 & D20SC-5
G15S / G18S-5 & G20SC-5

PRO5
SERIES



3,000/3,500/4,000 lb Capacities

Engine Powered Forklift Trucks

Pneumatic Tire

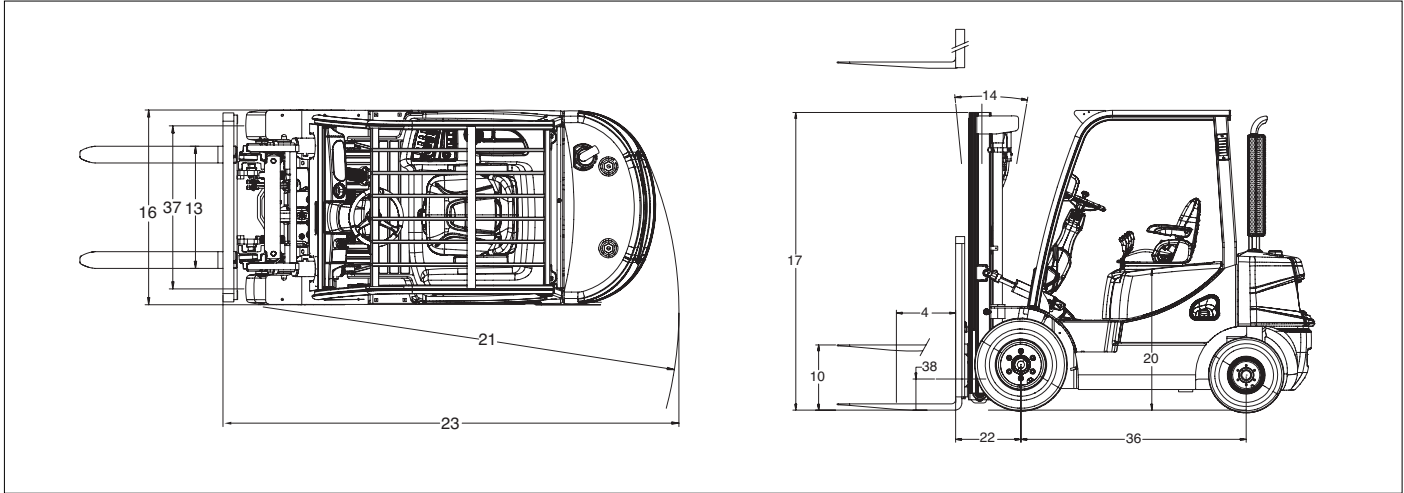
MAIN VEHICLE SPECIFICATIONS

CHARACTERISTICS	1	Manufacture		DOOSAN	DOOSAN	DOOSAN	DOOSAN	DOOSAN	DOOSAN	
	2	Model		D15S-5	D18S-5	D20SC-5	G15S-5 (TIER-3)	G18S-5 (TIER-3)	G20SC-5 (TIER-3)	
	3	Load Capacity	at rated load center	lb(kg)	3,000 (1,500)	3,500 (1,750)	4,000 (2,000)	3,000 (1,500)	3,500 (1,750)	4,000 (2,000)
	4	Load Center		in(mm)	24 (500)	24 (500)	24 (500)	24 (500)	24 (500)	24 (500)
	5	Power type	Elec, Diesel, LPG, Gasoline		Diesel	Diesel	Diesel	Gas, LP	Gas, LP	Gas, LP
	6	Operator type			driver seated	driver seated	driver seated	driver seated	driver seated	driver seated
	7	Tire type	P:Pnu, E:Solid Soft, C: Cush		P	P	P	P	P	P
	8	Wheels (x=Driven)	Front / Rear		X 2 / 2	X 2 / 2	X 2 / 2	X 2 / 2	X 2 / 2	X 2 / 2
DIMENSIONS	9	Max. Fork Height	with STD 2-stage mast	in(mm)	129.9 (3,300)	129.9 (3,300)	129.9 (3,300)	129.9 (3,300)	129.9 (3,300)	129.9 (3,300)
	10	Free Lift		in(mm)	5.3 (135)	5.3 (135)	5.5 (140)	5.3 (135)	5.3 (135)	5.5 (140)
	12	Fork Carriage	ISO Class		II	II	II	II	II	II
	13	Forks	Length x Width x Thickness	in (mm)	35.4x3.9x1.4 (900x100x35)	35.4x3.9x1.4 (900x100x35)	35.4x3.9x1.6 (900x100x40)	35.4x3.9x1.4 (900x100x35)	35.4x3.9x1.4 (900x100x35)	35.4x3.9x1.6 (900x100x40)
			Fork Spacing(Min x Max)	in (mm)	9.5x35.6 (240x905)	9.5x35.6 (240x905)	9.5x35.6 (240x905)	9.5x35.6 (240x905)	9.5x35.6 (240x905)	9.5x35.6 (240x905)
	14	Tilt of Mast	Forward / Backward	deg	6 / 8	6 / 8	6 / 8	6 / 8	6 / 8	6 / 8
	17	Overall Dimensions	Length to Fork Face	in(mm)	85.4 (2,170)	87.2 (2,215)	88.6 (2,250)	85.4 (2,170)	87.2 (2,215)	88.6 (2,250)
			Overall Width	in(mm)	42.1 (1,070)	42.1 (1,070)	42.1 (1,070)	42.1 (1,070)	42.1 (1,070)	42.1 (1,070)
			Mast Lowered Height	in(mm)	86 (2,185)	86 (2,185)	86 (2,185)	86 (2,185)	86 (2,185)	86 (2,185)
			Mast Extended Height	in(mm)	171.5 (4,355)	171.5 (4,355)	171.7 (4,360)	171.5 (4,355)	171.5 (4,355)	171.7 (4,360)
			Overhead Guard Height	in(mm)	85.4 (2,170)	85.4 (2,170)	85.4 (2,170)	85.4 (2,170)	85.4 (2,170)	85.4 (2,170)
			Seat Height	in(mm)	39.6 (1,005)	39.6 (1,005)	39.6 (1,005)	39.6 (1,005)	39.6 (1,005)	39.6 (1,005)
	21	Turning Radius	Minimum outside	in(mm)	77.8 (1,977)	79.6 (2,022)	80.7 (2,050)	77.8 (1,977)	79.6 (2,022)	80.7 (2,050)
	22	Load Moment Center		in(mm)	15.5 (394)	15.5 (394)	15.7 (399)	15.5 (394)	15.5 (394)	15.7 (399)
	23	Aisle 90 degree stacking(add load length & clearance)		in(mm)	92.9 (2,360)	94.4 (2,398)	95.4 (2,422)	92.9 (2,360)	94.4 (2,398)	95.4 (2,422)
PERFORMANCE	24	Travel Speed	Loaded / Unloaded	mph (km/h)	11.8 / 12.4 (19 / 20)	11.8 / 12.4 (19 / 20)	11.8 / 12.4 (19 / 20)	11.2 / 11.8 (18 / 19)	11.2 / 11.8 (18 / 19)	11.2 / 11.8 (18 / 19)
	25	Lifting Speed	Loaded / Unloaded	fpm (mm/s)	118.1 / 128.0 (600 / 650)	118.1 / 128.0 (600 / 650)	118.1 / 128.0 (600 / 650)	118.1 / 128.0 (600 / 650)	118.1 / 128.0 (600 / 650)	118.1 / 128.0 (600 / 650)
	26	Lowering Speed	Loaded / Unloaded	fpm (mm/s)	98.4 / 88.6 (500 / 450)	98.4 / 88.6 (500 / 450)	98.4 / 88.6 (500 / 450)	98.4 / 88.6 (500 / 450)	98.4 / 88.6 (500 / 450)	98.4 / 88.6 (500 / 450)
	28	Max. drawbar pull	Loaded at 1.0 mph (1.6km / h)	lb(kg)	3,086.5 (1,400)	3,086.5 (1,400)	3,086.5 (1,400)	3,086.5 (1,400)	3,086.5 (1,400)	3,086.5 (1,400)
	30	Max. gradeability	Loaded at 1.0 mph (1.7km / h)	%	32	30	29	37	32	30
WEIGHT	32	Total Service Weight, Unloaded		lb(kg)	6,349.3 (2,880)	6,812.3 (3,090)	7,165 (3,250)	6,172.9 (2,800)	6,635.9 (3,010)	6,988.6 (3,170)
	33	Axle Load	Loaded, Front / Rear	lb (kg)	8,377.6 / 1,278.7 (3,800 / 580)	9,182.2 / 1,492.5 (4,165 / 677)	10,020 / 1,492.5 (4,545 / 705)	8,322.4 / 1,157.4 (3,775 / 525)	9,127.2 / 1,366.9 (4,140 / 620)	9,946.9 / 1,433 (4,520 / 650)
			Unloaded, Front / Rear	lb (kg)	2,954.2 / 3,493.2 (1,340 / 1,560)	2,844 / 4,056.5 (1,290 / 1,840)	2,777.2 / 4,387.2 (1,260 / 1,990)	2,910.1 / 3,273.9 (1,320 / 1,485)	2,799.9 / 3,836 (1,270 / 1,740)	2,722.2 / 4,265.9 (1,235 / 1,935)
CHASSIS	35		Number of wheels(F / R)		2 / 2	2 / 2	2 / 2	2 / 2	2 / 2	2 / 2
	36	Tires	Size, Front		6.50x10-12	6.50x10-12	6.50x10-12	6.50x10-12	6.50x10-12	6.50x10-12
			Size, Rear		5.00x8-10	5.00x8-10	5.00x8-10	5.00x8-10	5.00x8-10	5.00x8-10
	38	Wheel Base	Distance	in(mm)	55.1(1,400)	55.1(1,400)	55.1(1,400)	55.1(1,400)	55.1(1,400)	55.1(1,400)
	39	Tread Width	Front / Rear	in (mm)	35.0 / 35.8 (890 / 910)	35.0 / 35.8 (890 / 910)	35.0 / 35.8 (890 / 910)	35.0 / 35.8 (890 / 910)	35.0 / 35.8 (890 / 910)	35.0 / 35.8 (890 / 910)
			Loaded at the lowest point	in(mm)	4.7 (120)	4.7 (120)	4.7 (120)	4.7 (120)	4.7 (120)	4.7 (120)
	41	Ground Clearance	Loaded at center of wheelbase	in(mm)	5.9 (150)	5.9 (150)	5.9 (150)	5.9 (150)	5.9 (150)	5.9 (150)
42	Brakes	Service		Foot / Hyd	Foot / Hyd	Foot / Hyd	Foot / Hyd	Foot / Hyd	Foot / Hyd	
43		Parking		Hand / Mech	Hand / Mech	Hand / Mech	Hand / Mech	Hand / Mech	Hand / Mech	
POWER TRAIN	45	Battery	Voltage / Ampere	V / AH	12 / 60	12 / 60	12 / 60	12 / 45	12 / 45	12 / 45
	49		Manufacturer / Model		CUMMINS / A2300	CUMMINS / A2300	CUMMINS / A2300	G420FE	G420FE	G420FE
	50	Engine	Rated Power(DIN)	HP/rpm kW/rpm	44 / 2,400 33 / 2,400	44 / 2,400 33 / 2,400	44 / 2,400 33 / 2,400	47 / 2,300 35 / 2,300	47 / 2,300 35 / 2,300	47 / 2,300 35 / 2,300
			Maximum Torque	lb · ft/rpm kg · m/rpm	110 / 1,600 15 / 1,600	110 / 1,600 15 / 1,600	110 / 1,600 15 / 1,600	113 / 1,600 16 / 1,600	113 / 1,600 16 / 1,600	113 / 1,600 16 / 1,600
			Cylinders / Displacements	in(cc)	4 / 4 (2,290)	4 / 4 (2,290)	4 / 4 (2,290)	4 / 4 (1,975)	4 / 4 (1,975)	4 / 4 (1,975)
	55	Transmission	Type		powershift	powershift	powershift	powershift	powershift	powershift
			Number of Speed (Fwd / Rev)		1 / 1	1 / 1	1 / 1	1 / 1	1 / 1	1 / 1
57	Hydraulic Pressure	System	psi(bar)	2,552 (176)	2,880 (199)	3,132 (216)	2,552 (176)	2,880 (199)	3,132 (216)	
		Attachment	psi(bar)	2,552 (176)	2,880 (199)	3,132 (216)	2,552 (176)	2,880 (199)	3,132 (216)	

Note: Specification values quoted in this specification sheet has been rounded. Performance may vary due to operation conditions.

Products and specifications are subject to improvement and change without prior notices.

MAST SPECIFICATIONS and RATED CAPACITIES



D/G15S-5

Mast type	Maximum Fork Height		Maximum Lowered Height		Fully Extended Height		Free Lift		Rated Load Capacities			
									D/G15S-5			
									Tilt Angle		Load Capacities	
mm	in	mm	in	mm	in	mm	in	FWD deg	BWD deg	LC 500mm kg	LC 24in lb	
STD	3000	118	2035	80	4055	160	135	5	6	8	1500	3000
	3300	130	2185	86	4355	171	135	5	6	8	1500	3000
	3500	138	2285	90	4555	179	135	5	6	8	1500	3000
	3700	146	2385	94	4755	187	135	5	6	8	1500	3000
	4000	157	2585	102	5055	199	135	5	6	8	1500	3000
	4500	177	2835	112	5555	219	135	5	6	8	1500	3000
FF	2700	106	1885	74	3755	148	880	35	6	8	1500	3000
	3000	118	2035	80	4055	160	1030	41	6	8	1500	3000
	3300	130	2185	86	4355	171	1180	46	6	8	1500	3000
FFT	4000	157	1915	75	5055	199	910	36	6	8	1500	3000
	4500	177	2080	82	5555	219	1075	42	6	8	1475	2950
	4750	187	2165	85	5805	229	1160	46	6	8	1425	2850
	5000	197	2280	90	6055	238	1275	50	6	5	1400	2800
	5500	217	2515	99	6555	258	1510	59	6	5	1275	2550
	6000	236	2680	106	7055	278	1675	66	6	5	975	1950

D/G18S-5

Mast type	Maximum Fork Height		Maximum Lowered Height		Fully Extended Height		Free Lift		Rated Load Capacities			
									D/G18S-5			
									Tilt Angle		Load Capacities	
mm	in	mm	in	mm	in	mm	in	FWD deg	BWD deg	LC 500mm kg	LC 24in lb	
STD	3000	118	2035	80	4055	160	135	5	6	8	1750	3500
	3300	130	2185	86	4355	171	135	5	6	8	1750	3500
	3500	138	2285	90	4555	179	135	5	6	8	1750	3500
	3700	146	2385	94	4755	187	135	5	6	8	1750	3500
	4000	157	2585	102	5055	199	135	5	6	8	1750	3500
	4500	177	2835	112	5555	219	135	5	6	8	1750	3500
FF	2700	106	1885	74	3755	148	880	35	6	8	1750	3500
	3000	118	2035	80	4055	160	1030	41	6	8	1750	3500
	3300	130	2185	86	4355	171	1180	46	6	8	1750	3500
FFT	4000	157	1915	75	5055	199	910	36	6	8	1750	3500
	4500	177	2080	82	5555	219	1075	42	6	8	1750	3500
	4750	187	2165	85	5805	229	1160	46	6	8	1500	3000
	5000	197	2280	90	6055	238	1275	50	6	5	1575	3150
	5500	217	2515	99	6555	258	1510	59	6	5	1200	2400
	6000	236	2680	106	7055	278	1675	66	6	5	900	1800

D/G20SC-5

Mast type	Maximum Fork Height		Maximum Lowered Height		Fully Extended Height		Free Lift		Rated Load Capacities			
									D/G20SC-5			
									Tilt Angle		Load Capacities	
mm	in	mm	in	mm	in	mm	in	FWD deg	BWD deg	LC 500mm kg	LC 24in lb	
STD	3000	118	2035	80	4060	160	140	6	6	8	2000	4000
	3300	130	2185	86	4360	172	140	6	6	8	2000	4000
	3500	138	2285	90	4560	180	140	6	6	8	2000	4000
	3700	146	2385	94	4760	187	140	6	6	8	2000	4000
	4000	157	2585	102	5060	199	140	6	6	8	2000	4000
	4500	177	2835	112	5560	219	140	6	6	8	1675	3350
FF	2700	106	1885	74	3760	148	880	35	6	8	2000	4000
	3000	118	2035	80	4060	160	1030	41	6	8	2000	4000
	3300	130	2185	86	4360	172	1180	46	6	8	2000	4000
FFT	4000	157	1915	75	5060	199	910	36	6	8	2000	4000
	4500	177	2080	82	5560	219	1075	42	6	8	1700	3400
	4750	187	2165	85	5810	229	1160	46	6	5	1750	3500
	5000	197	2280	90	6060	239	1275	50	6	5	1525	3050
	5500	217	2515	99	6560	258	1510	59	6	5	1150	2300
	6000	236	2680	106	7060	278	1675	66	6	5	850	1700



PRO5 SERIES



G15S / G18S-5 & G20SC-5
3,000lb(1,500kg) 3,500lb(1,750kg)
4,000 lb(2,000kg)
LP, Gas , Pneumatic Tire



D15S / D18S-5 & D20SC-5
3,000lb(1,500kg) 3,500lb(1,750kg)
4,000 lb(2,000kg)
Diesel, Pneumatic Tire



PSC0702A0 (Feb.2007)



Doosan Infracore
Forklifts

Doosan Infracore America Corporation
4350 Renaissance Parkway,
Warrensville Heights, Ohio, 44128 U.S.A.
Tel : 216-595-1212
Fax : 216-595-1214

AUTHORIZED DEALER

Product and specifications are subject to improvement and change without notice.



Doosan Infracore
Forklifts

TECHNICAL SPECIFICATIONS

Pneumatic Forklift Trucks

D20S / D25S / D30S / D33S-5 & D35C-5

G20E / G25E / G30E-5

G20P / G25P / G30P / G33P-5 & G35C-5

PRO5
SERIES



4,000/5,000/6,000/6,500/7,000 lb Capacities

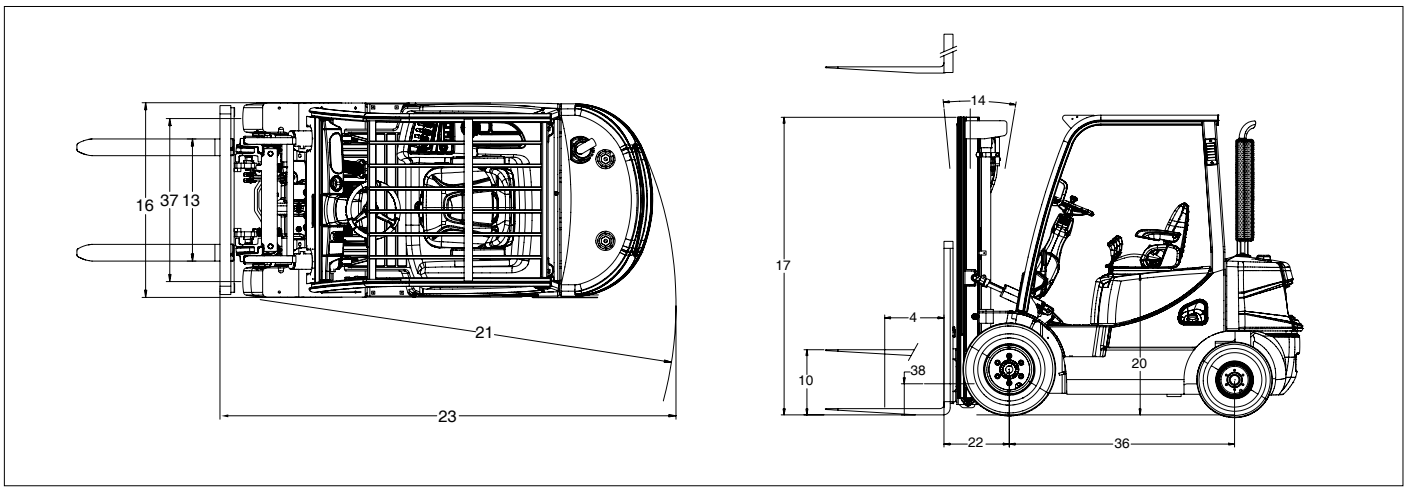
Engine Powered Forklift Trucks Pneumatic Tire, Diesel

MAIN VEHICLE SPECIFICATIONS

	CHARACTERISTICS			DOOSAN	DOOSAN	DOOSAN	DOOSAN	DOOSAN		
	1	2	3	4	5	6	7	8		
	1	Manufacture		DOOSAN	DOOSAN	DOOSAN	DOOSAN	DOOSAN		
	2	Model		D20S-5	D25S-5	D30S-5	D33S-5	D35C-5		
	3	Load Capacity	at rated load center	lb(kg)	4,000 (2,000)	5,000 (2,500)	6,000 (3,000)	6,500 (3,250)	7,000 (3,500)	
	4	Load Center		in(mm)	24 (500)	24 (500)	24 (500)	24 (500)	24 (500)	
	5	Power type	Elec, Diesel, LPG, Gasoline		Diesel	Diesel	Diesel	Diesel	Diesel	
	6	Operator type			driver seated	driver seated	driver seated	driver seated	driver seated	
	7	Tire type	P:Pnu, E:Solid Soft, C: Cush		P	P	P	P	P	
	8	Wheels (x=Driven)	Front / Rear		X 2 / 2	X 2 / 2	X 2 / 2	X 2 / 2	X 2 / 2	
	9	Max. Fork Height	with STD 2-stage mast	in(mm)	127.2 (3,230)	127.2 (3,230)	127.2 (3,230)	127.2 (3,230)	118.1 (3,000)	
	10	Free Lift		in(mm)	6 (152)	6 (152)	6 (152)	6 (152)	6 (152)	
	12	Fork Carriage	ISO Class		II	II	III	III	III	
	13	Forks	Length x Width x Thickness	in (mm)	41.3x3.9x1.6 (1,050x100x40)	41.3x3.9x1.6 (1,050x100x40)	41.3x4.9x1.8 (1,050x125x45)	41.3x4.9x1.8 (1,050x125x45)	41.3x4.9x1.8 (1,050x125x45)	
			Fork Spacing(Min x Max)	in (mm)	10.8x40.7 (275x1,035)	10.8x40.7 (275x1,035)	11.3x41.1 (286x1,044)	11.3x41.1 (286x1,044)	11.3x41.1 (286x1,044)	
	14	Tilt of Mast	Forward / Backward	deg	6 / 10	6 / 10	6 / 10	6 / 10	6 / 10	
	15	Overall Dimensions	Length to Fork Face	in(mm)	99.6 (2,530)	102.2 (2,595)	106.3 (2,700)	107.5 (2,730)	108.9 (2,765)	
			Overall Width	in(mm)	46.1 (1,170)	46.1 (1,170)	47.1 (1,197)	47.1 (1,197)	49.4 (1,255)	
			Mast Lowered Height	in(mm)	85.6 (2,175)	85.6 (2,175)	85.2 (2,165)	85.2 (2,165)	85.2 (2,165)	
			Mast Extended Height	in(mm)	176.8 (4,490)	176.8 (4,490)	176.8 (4,490)	176.8 (4,490)	167.7 (4,260)	
			Overhead Guard Height	in(mm)	85.9 (2,183)	85.9 (2,183)	85.9 (2,183)	85.9 (2,183)	85.9 (2,183)	
			Seat Height	in(mm)	40.4 (1,026)	40.4 (1,026)	40.4 (1,026)	40.4 (1,026)	40.4 (1,026)	
	21	Turning Radius	Minimum outside	in(mm)	87.4 (2,220)	89.2 (2,265)	93.1 (2,365)	94.3 (2,395)	95.3 (2,420)	
	22	Load Moment Center		in(mm)	18.9 (480)	18.9 (480)	19.1 (485)	19.1 (485)	19.5 (495)	
	23	Aisle 90 degree stacking(add load length & clearance)		in(mm)	106.3 (2,700)	108.1 (2,745)	112.2 (2,850)	113.4 (2,880)	114.8 (2,915)	
	24	Travel Speed	Loaded / Unloaded	mph	11.8 / 12.4	11.8 / 12.4	11.2 / 12.1	11.2 / 12.1	11.5 / 12.4	
				(km/h)	(19/ 19.5)	(19/ 19.5)	(18 / 19)	(18 / 19)	(18.5 / 19.5)	
			Lifting Speed	Loaded / Unloaded	fpm	104.3 / 90.6	102.3 / 90.6	98.4 / 90.6	96.3 / 90.6	82.7 / 90.6
					(mm/s)	(530 / 460)	(520 / 460)	(500 / 460)	(490 / 480)	(420 / 460)
	26	Lowering Speed	Loaded / Unloaded	fpm	100.4 / 90.6	100.4 / 90.6	100.4 / 90.6	100.4 / 90.6	100.4 / 90.6	
	28	Max. drawbar pull	Loaded at 1.0 mph (1.6km / h)	lb(kg)	3,891.2 (1,765)	3836 (1,740)	4,034.5 (1,830)	4,012.4 (1,820)	3858.1 (1,750)	
	30	Max. gradeability	Loaded at 1.0 mph (1.7km / h)	%	33	28	25	23.5	21.5	
	32	Total Service Weight, Unloaded		lb(kg)	7,892.5 (3,580)	8708.2 (3950)	9,810.6 (4,450)	10,207.4 (4,630)	10,604.2 (4,810)	
				lb	10,869 / 1,433	12,478 / 1,742	14,506 / 1,918	15,300 / 2,072	16,182 / 2,138	
				(kg)	(4,930 / 650)	(5,660 / 790)	(6,580 / 870)	(6,940 / 940)	(7,340 / 970)	
	34	Axle Load	Unloaded, Front / Rear	lb (kg)	3,792 / 4,101 (1,720 / 1,860)	3,638 / 5,071 (1,650 / 2,300)	4,057 / 5,754 (1,840 / 2,610)	3,968 / 6,239 (1,800 / 2,830)	3,924 / 6,680 (1,780 / 3,030)	
	35	Tires	Number of wheels(F / R)		2 / 2	2 / 2	2 / 2	2 / 2	2 / 2	
			Size, Front		7.00x15-12	7.00x15-12	28x9x15-12	28x9x15-12	250x15-18	
			Size, Rear		6.50x10-10	6.50x10-10	6.50x10-10	6.50x10-12	6.50x10-12	
			Wheel Base	Distance	in(mm)	64 (1,625)	64 (1,625)	66.9 (1,700)	66.9 (1,700)	66.9 (1,700)
			Tread Width	Front / Rear	in (mm)	38.4 / 39.4 (975 / 1,000)	38.4 / 39.4 (975 / 1,000)	38.7 / 39.4 (982 / 1,000)	38.7 / 39.4 (982 / 1,000)	40.4 / 39.4 (1,026 / 1,000)
			Ground Clearance	Loaded at the lowest point	in(mm)	4.5 (115)	4.5 (115)	4.1 (105)	4.1 (105)	4.1 (105)
				Loaded at center of wheelbase	in(mm)	5.6 (143)	5.6 (143)	5.6 (143)	5.6 (143)	5.6 (143)
			42	Brakes	Service		Foot / Hyd	Foot / Hyd	Foot / Hyd	Foot / Hyd
43		Parking		Hand / Mech	Hand / Mech	Hand / Mech	Hand / Mech	Hand / Mech		
	45	Battery	Voltage / Ampere	V / AH	12 / 85	12 / 85	12 / 85	12 / 85	12 / 85	
			Manufacturer / Model		4TNE98	4TNE98	4TNE98	4TNE98	4TNE98	
			Engine	Rated Power(DIN)	HP/rpm kW/rpm	59 / 2,300 43.7 / 2,300	59 / 2,300 43.7 / 2,300	59 / 2,300 43.7 / 2,300	59 / 2,300 43.7 / 2,300	59 / 2,300 43.7 / 2,300
				Maximum Torque	lbft/rpm kg-m/rpm	134 / 1,600 181 / 1,600	134 / 1,600 181 / 1,600	134 / 1,600 181 / 1,600	134 / 1,600 181 / 1,600	134 / 1,600 181 / 1,600
				Cylinders / Displacements	cc	4 / 3,319	4 / 3,319	4 / 3,319	4 / 3,319	4 / 3,319
				Transmission	Type		powershift	powershift	powershift	powershift
			Number of Speed (Fwd / Rev)			1 / 1	1 / 1	1 / 1	1 / 1	1 / 1
57	Hydraulic Pressure	System	psi(bar)	2,625 (181)	2,828 (195)	3,132 (216)	3,132 (216)	3,132 (216)		
		Attachment	psi(bar)	2,262 (156)	2,262 (156)	2,262 (156)	2,262 (156)	2,262 (156)		

Note: Specification values quoted in this specification sheet has been rounded. Performance may vary due to operation conditions.

Products and specifications are subject to improvement and change without prior notices.



D/G 33S(P)-5

Mast type	Maximum Fork Height		Maximum Lowered Height		Fully Extended Height		Free Lift		Rated Load Capacities											
									D/G 33S(P)-5											
									Tilt Angle				Load Capacities							
									Single Pneu.		Double Pneu		Single Solid		Single Pneu.		Double Pneu		Single Solid	
								FWD	BWD	FWD	BWD	FWD	BWD	LC 500mm	LC 24in	LC 500mm	LC 24in	LC 500mm	LC 24in	
								deg	deg	deg	deg	deg	deg	kg	lb	kg	lb	kg	lb	
STD	2030	80	1565	62	3290	130	152	6	6	10	6	10	6	10	3250	6500	3250	6500	3250	6500
	2580	102	1840	72	3840	151	152	6	6	10	6	10	6	10	3250	6500	3250	6500	3250	6500
	2950	116	2025	80	4210	166	152	6	6	10	6	10	6	10	3250	6500	3250	6500	3250	6500
	3230	127	2165	85	4490	177	152	6	6	10	6	10	6	10	3250	6500	3250	6500	3250	6500
	3500	138	2415	95	4765	188	152	6	6	10	6	10	6	10	3250	6500	3250	6500	3250	6500
	3800	150	2565	101	5065	199	152	6	6	10	6	10	6	10	3250	6500	3250	6500	3250	6500
	3950	156	2640	104	5215	205	152	6	6	10	6	10	6	10	3175	6500	3250	6500	3250	6500
	4350	171	2840	112	5615	221	152	6	6	5	6	10	6	10	3175	6500	3250	6500	3250	6500
	4960	195	3140	124	6215	245	152	6	6	3	6	10	6	8	2450	5400	3125	6350	3200	6500
FF	2580	102	1840	72	3840	151	640	25	6	10	6	10	6	10	3250	6500	3250	6500	3250	6500
	2950	116	2025	80	4210	166	825	32	6	10	6	10	6	10	3250	6500	3250	6500	3250	6500
	3230	127	2165	85	4490	177	965	38	6	10	6	10	6	10	3250	6500	3250	6500	3250	6500
	3600	142	2415	95	4865	192	1215	48	6	10	6	10	6	10	3250	6500	3250	6500	3250	6500
FFT	3900	154	1890	74	5165	203	690	27	6	8	6	8	6	8	3250	6500	3250	6500	3250	6500
	4290	169	2025	80	5570	219	825	32	6	5	6	8	6	8	3250	6500	3250	6500	3250	6500
	4730	186	2165	85	5990	236	965	38	6	3	6	8	6	8	2900	6300	3175	6450	3250	6500
	5560	219	2515	99	6815	268	1315	52	6	3	6	8	6	5	1750	3950	2975	6050	3050	6200
	6010	237	2665	105	7265	286	1465	58	6	3	6	5	6	3	1350	3050	2875	5850	2950	6050

D/G 35C-5

Mast type	Maximum Fork Height		Maximum Lowered Height		Fully Extended Height		Free Lift		Rated Load Capacities											
									D/G 35C-5											
									Tilt Angle				Load Capacities							
									Single Pneu.		Double Pneu		Single Solid		Single Pneu.		Double Pneu		Single Solid	
								FWD	BWD	FWD	BWD	FWD	BWD	LC 500mm	LC 24in	LC 500mm	LC 24in	LC 500mm	LC 24in	
								deg	deg	deg	deg	deg	deg	kg	lb	kg	lb	kg	lb	
STD	1800	71	1565	62	3060	120	152	6	6	10	6	10	6	10	3500	7000	3500	7000	3500	7000
	2350	93	1840	72	3610	142	152	6	6	10	6	10	6	10	3500	7000	3500	7000	3500	7000
	2720	107	2025	80	3980	157	152	6	6	10	6	10	6	10	3500	7000	3500	7000	3500	7000
	3000	118	2165	85	4260	168	152	6	6	10	6	10	6	10	3500	7000	3500	7000	3500	7000
	3495	138	2415	95	4760	187	152	6	6	10	6	10	6	10	3500	7000	3500	7000	3500	7000
	3655	144	2565	101	4915	194	152	6	6	10	6	10	6	10	3500	7000	3500	7000	3500	7000
	3805	150	2640	104	5065	199	152	6	6	10	6	10	6	10	3500	7000	3500	7000	3500	7000
	4205	166	2840	112	5465	215	152	6	6	8	6	10	6	10	3425	6950	3425	6950	3500	7000
	4805	189	3140	124	6065	239	152	6	6	3	6	8	6	8	3250	6650	3275	6650	3375	6850
FF	2350	93	1840	72	3610	142	640	25	6	10	6	10	6	10	3500	7000	3500	7000	3500	7000
	2720	107	2025	80	3980	157	825	32	6	10	6	10	6	10	3500	7000	3500	7000	3500	7000
	3000	118	2165	85	4260	168	965	38	6	10	6	10	6	10	3500	7000	3500	7000	3500	7000
	3495	138	2415	95	4755	187	1215	48	6	10	6	10	6	10	3500	7000	3500	7000	3500	7000
FFT	3555	140	1890	74	4815	190	690	27	6	8	6	8	6	8	3400	7000	3400	7000	3400	7000
	3960	156	2025	80	5220	206	825	32	6	8	6	8	6	8	3400	7000	3400	7000	3400	7000
	4380	172	2165	85	5640	222	965	38	6	5	6	8	6	8	3375	6850	3375	6850	3400	7000
	4820	190	2335	92	6085	240	1135	45	6	3	6	8	6	8	3250	6600	3250	6650	3350	6800
	5205	205	2515	99	6465	255	1315	52	6	3	6	8	6	5	2600	5800	3150	6450	3250	6600
5655	223	2665	105	6915	272	1465	58	6	3	6	5	6	3	1975	4450	3050	6200	3150	6400	



PRO5 SERIES



G20E / G25E / G30E-5
G20P / G25P / G30P / G33P-5 & G35C-5
 4,000lb (2,000kg) 5,000lb (2,500kg)
 6,000lb (3,000kg) 6,500lb (3,250kg)
 7,000lb (3,500kg)
 LP, Gas, Pneumatic Tire

D20S / D25S / D30S / D33S-5 & D35C-5
 4,000lb (2,000kg) 5,000lb (2,500kg)
 6,000lb (3,000kg) 6,500lb (3,250kg)
 7,000lb (3,500kg)
 Diesel, Pneumatic Tire

PSC0702B0 (Jan.2008)



Doosan Infracore
Forklifts

Doosan Infracore America Corporation
 4350 Renaissance Parkway
 Warrensville Heights, Ohio 44128 U.S.A.
 Tel : 216-595-1212
 Fax : 216-595-1214

AUTHORIZED DEALER

Product and specifications are subject to improvement and change without notice.